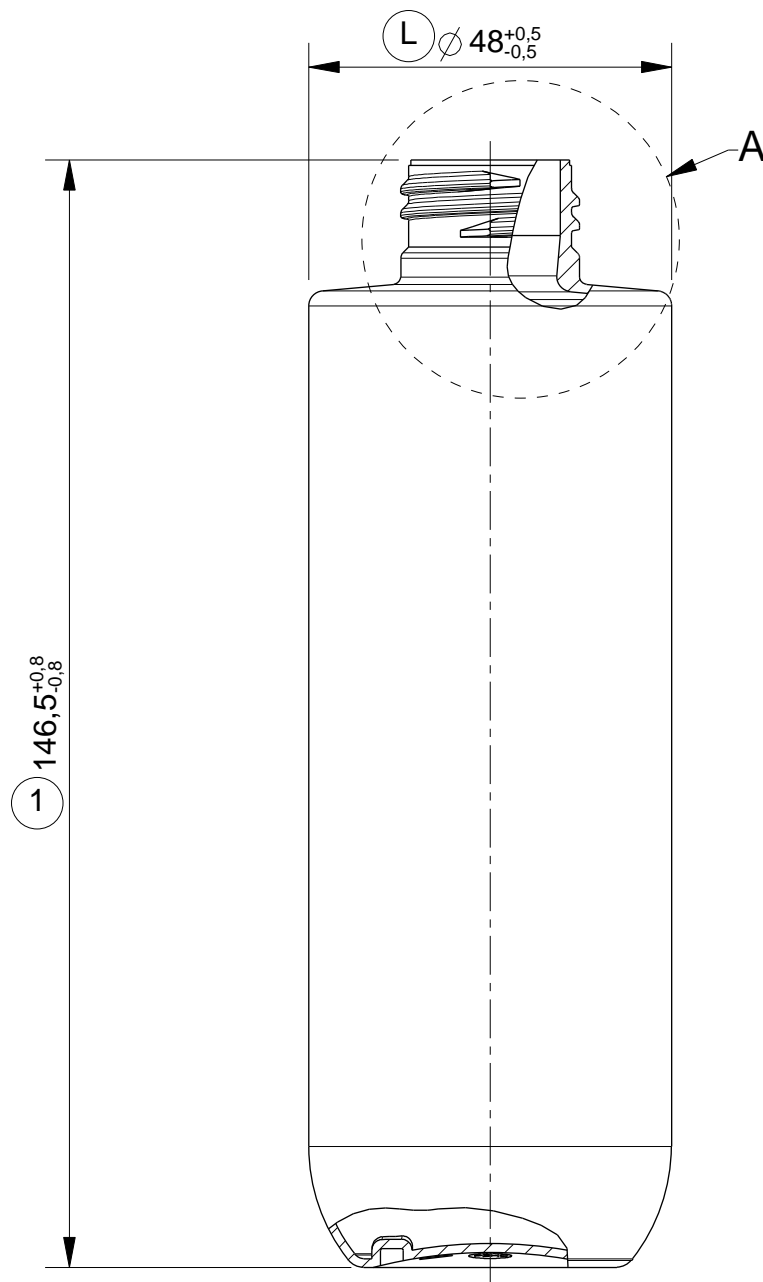
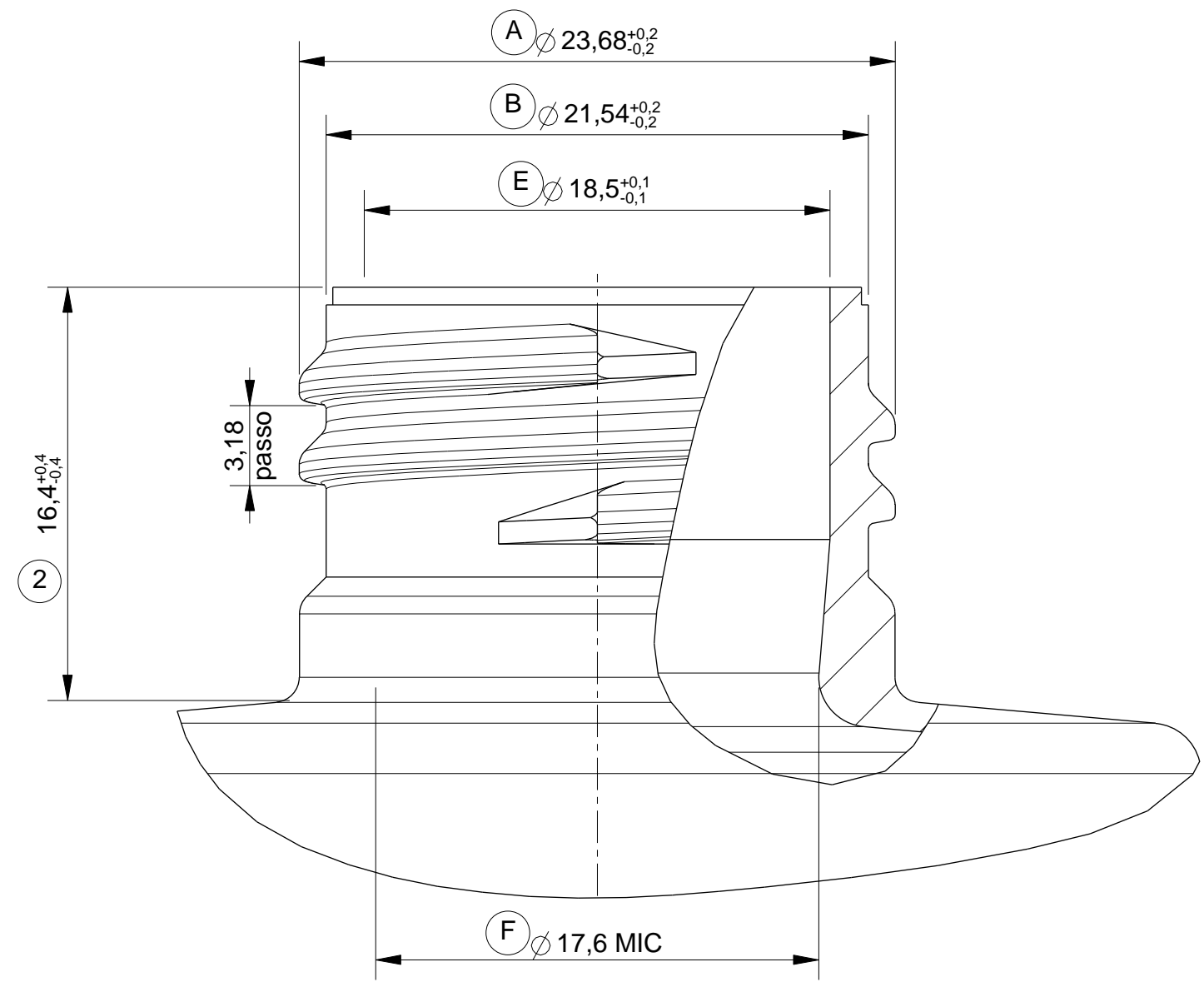


Indicazioni sul fondo:  
Logo Lumson  
n° impronta  
capacità  
materiale



→ 146,5<sup>+0,8</sup><sub>-0,8</sub>



Description	Flacone UNIQUE 200ml 24/410				According to the law we reserve the right of property on this drawing and forbid the copy as well as the show of the same to third parties or competitors without our authorization		 Cosmetic Packaging Industries
					Do not measure any dimension from the drawing		
General toll.	Linear dim. ±0.2	Diameter ±0.2	Angles ±0°30'	Taper ±0.05%	CRB 216 ± 5ml		
Weight	20 ±g	Material	75%HDPE+25%LDPE+Soft touch	Treatment	-	Ref.	-
Date	29.II.17	Drawing no.	D980_490_CL	Table	-	Issued by	EG
				Controlled	EG	Approved	MS

Rev.	Date	Emissione disegno	Issued by	Controlled	Approved
01	12.06.18	Emissione disegno	MP	MP	MS
00	29.II.17	Emissione provvisoria	EG	EG	MS