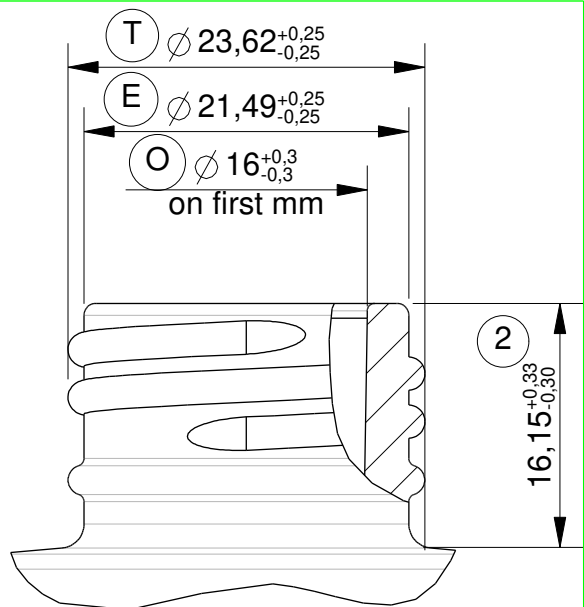
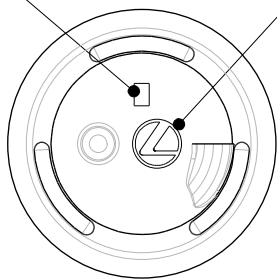
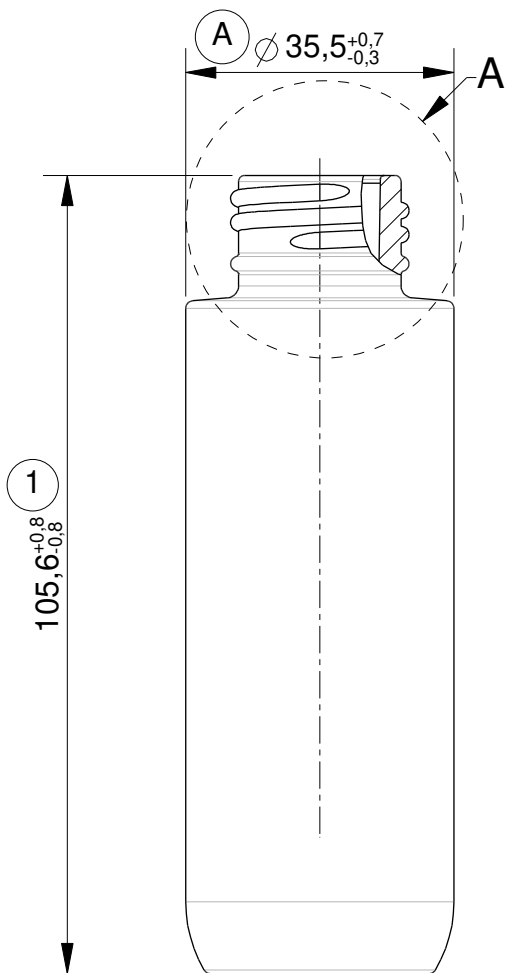


cavity number

Lumson Logo



A(2:1)



passo / pitch = 3.18

Minimo interno collo / min. through bore = $\phi 15.5$ mm

Rev.	Date	Modify	Issued by	Controlled	Approved	Rev.	Date	Modify	Issued by	Controlled	Approved
-	-	-	-	-	-	-	-	-	-	-	-
-	-	-	-	-	-	-	-	-	-	-	-
OI	04/12/19	Emissione disegno	RZ	RZ	MS	-	-	-	-	-	-

Description

Bottle Unique 45ml 24/410

According to the law we reserve the right of property on this drawing and forbid the copy as well as the show of the same to third parties or competitors without our authorization



Do not measure any dimension from the drawing

However please consider the measures in mm as precise reference

General toll.	Linear dim. ± 0.2	Diameter ± 0.2	Angles $\pm 0^{\circ}30'$	Taper $\pm 0.05\%$	CRB 5l.5ml ± 1.5 ml
Weight IOlg approx	Material Glass	Treatment	Ref.	Scale 1:1	
Date 04/12/19	Drawing no. 1/3017/O/CL	Table -	Issued by RZ	Controlled RZ	Approved MS