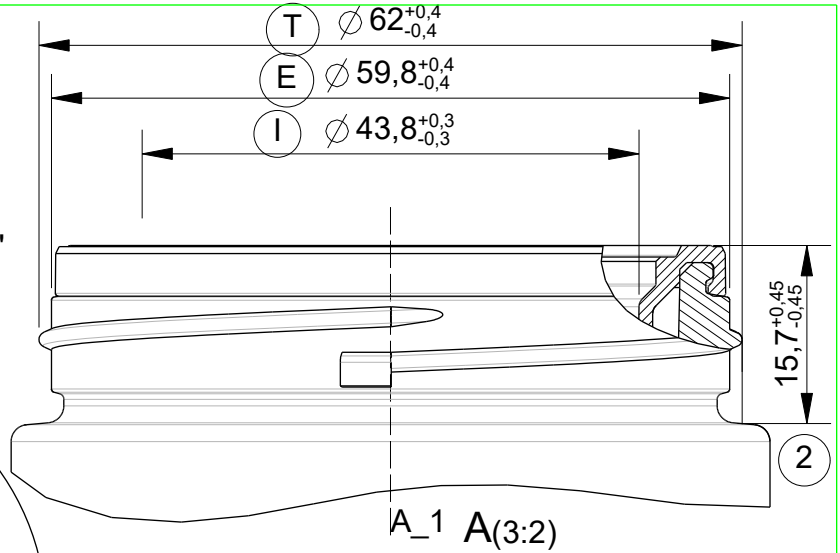
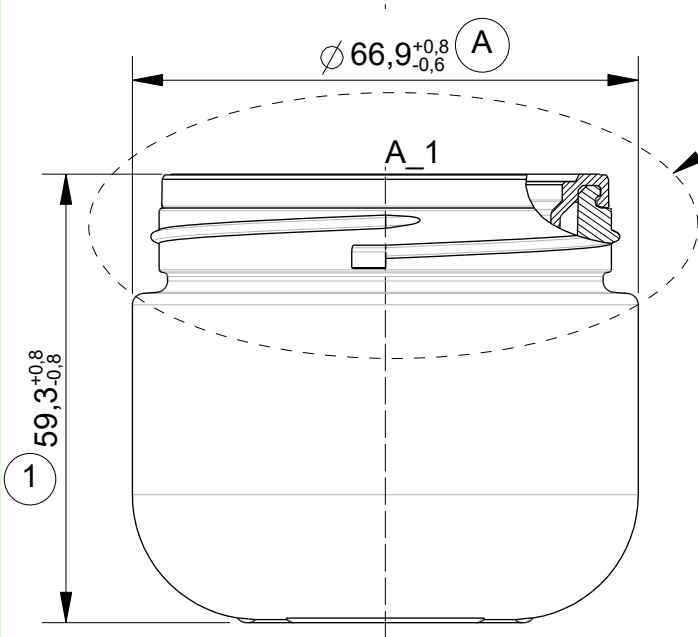
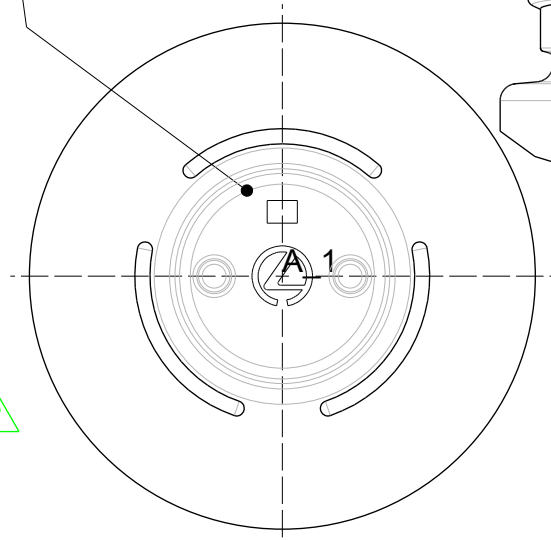


On the bottom / sul fondo:
cavity numbers / numero cavita'
logo Lumson



Filetto doppio principio / double thread
passo / pitch 8mm

02



Rev.	Date	Modify	Issued by	Controlled	Approved	Rev.	Date	Modify	Issued by	Controlled	Approved
03	19/05/2020	Aggiornamento peso	OF	MD	MD	-	-	-	-	-	-
02	26/10/18	Stability feet updating	RZ	RZ	MS	-	-	-	-	-	-
01	05/06/18	Emissione disegno	RZ	RZ	MS	04	14/04/22	Modifica descrizione	CS	MG	FN

Description
Vaso Unique 50ml con Cuvette Sple.

According to the law we reserve the right of property on this drawing and forbid the copy as well as the show of the same to third parties or competitors without our authorization



Do not measure any dimension from the drawing
However please consider the measures in mm as precise reference

General toll.	Linear dim. ± 0.2	Diameter ± 0.2	Angles $\pm 0^{\circ}30'$	Taper $\pm 0.05\%$	capacita' RB = 6ml ± 2 ml
Weight 150 ± 2 g	Material Glass + PP	Treatment -	Ref. -	Scale 1:1	
Date 05/06/18	Drawing no. E196/900/CL	Table -	Issued by RZ	Controlled RZ	Approved MS