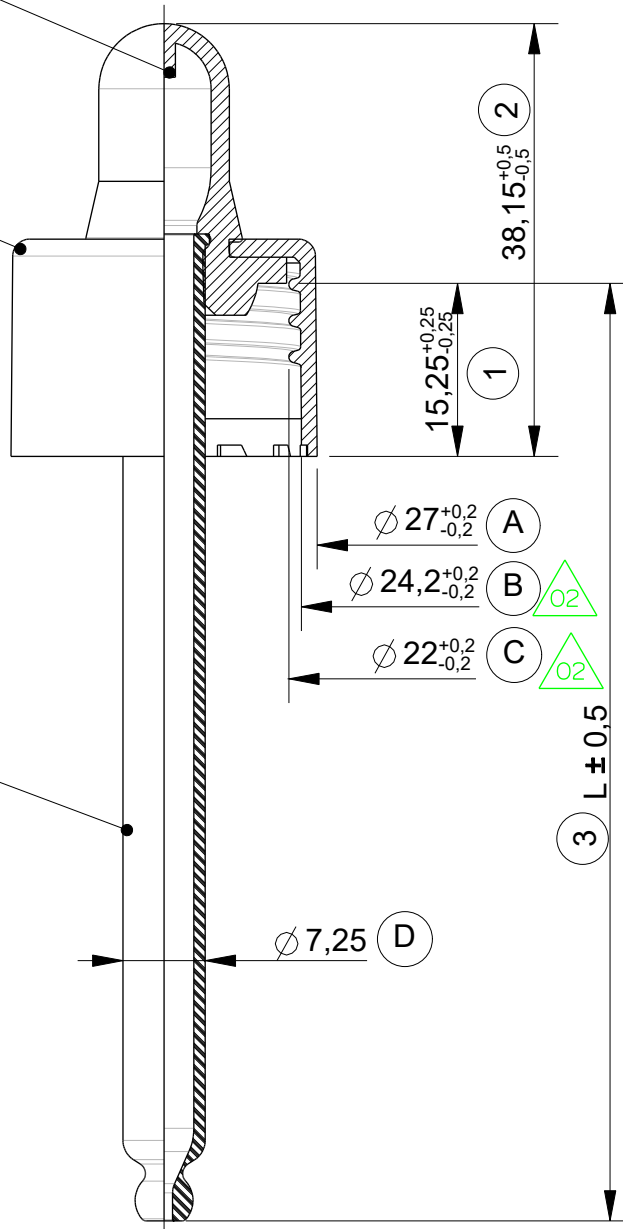


Gommino / Rubber  
SEBS

Ghiera / Screwcap  
PP

Tige / Pipette  
Vetro / Glass



SEZIONE F-F

# Peso / Weight: 4.55g ca. (Senza Tiges / Without Tiges)

Rev.	Date	Modify	Issued by	Controlled	Approved	Rev.	Date	Modify	Issued by	Controlled	Approved
-	-	-	-	-	-	-	-	-	-	-	-
02	25/10/2022	Modifica Rif. B-C	CS	CS	GS	-	-	-	-	-	-
01	25/08/2022	Emissione disegno	MB	MB	CM	-	-	-	-	-	-

Description

Contagocce con Ghiera 24/410 in PP  
+ Tige tip A

According to the law we reserve the right of property on this drawing and forbid the copy as well as the show of the same to third parties or competitors without our authorization

Do not measure any dimension from the drawing

However please consider the measures in mm as precise reference



General toll.	Linear dim. ±0.2	Diameter ±0.2	Angles ±0°30'	Taper ±0.05%							
Weight #	Material -	Treatment -	Ref. -	Scale 3:2							
Date 25/08/2022	Drawing no. H688/900/CL	Table -	Issued by MB	Controlled MB	Approved CM						